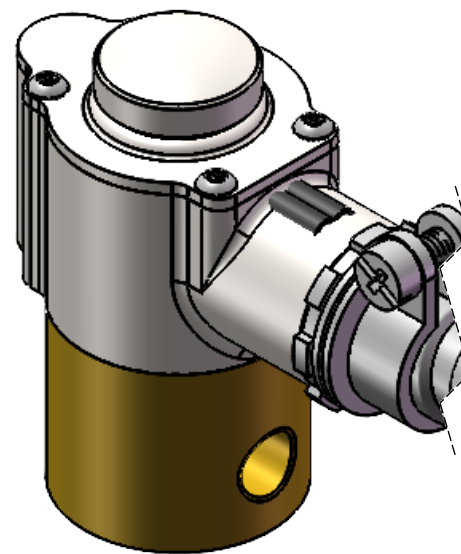
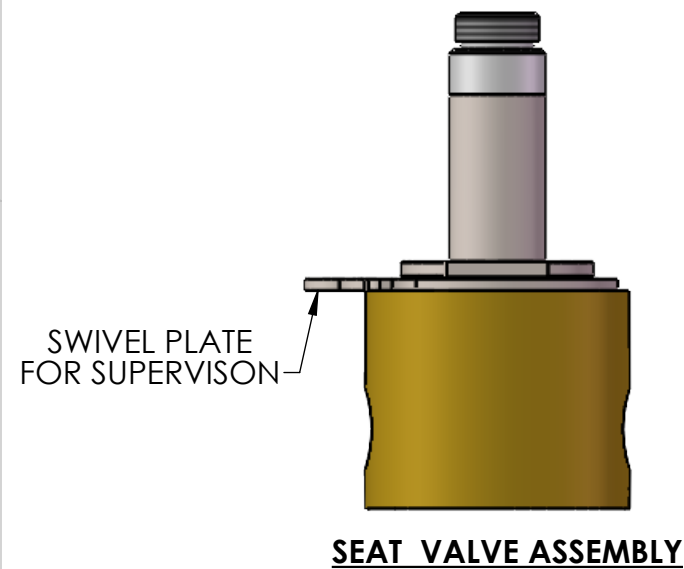
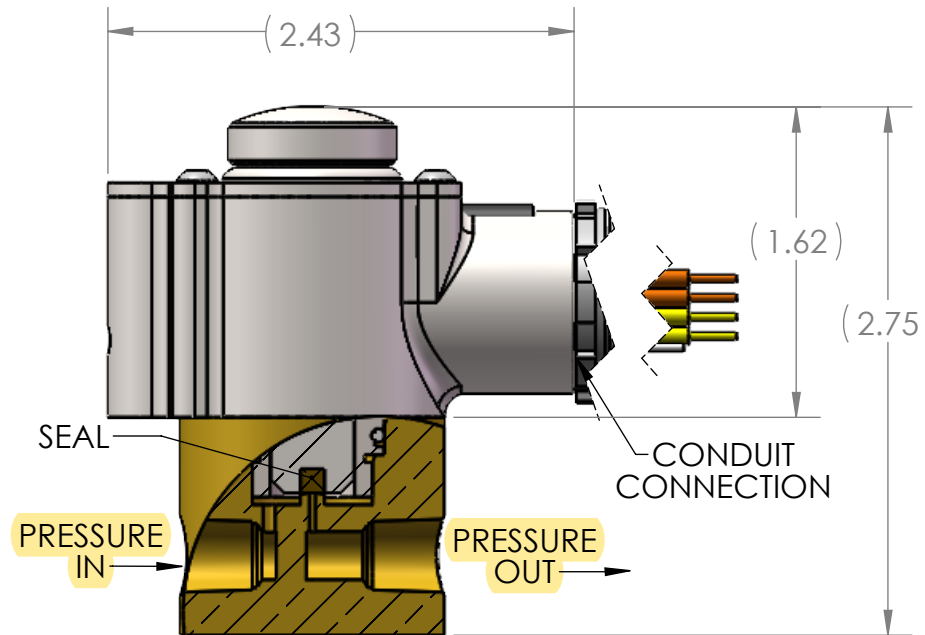
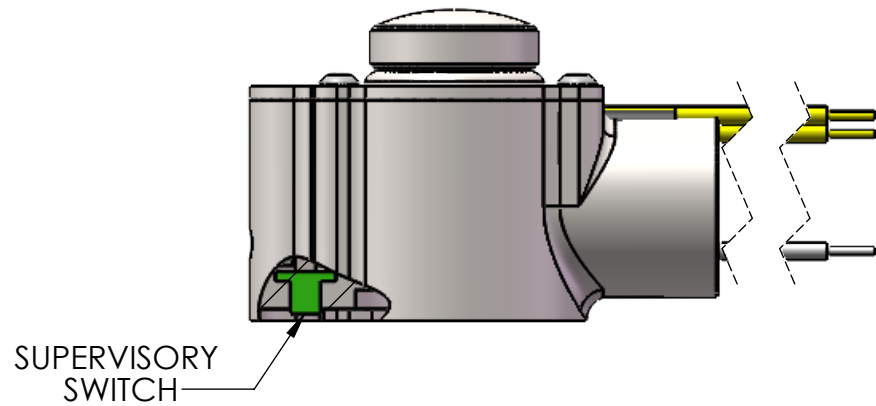


# EXPLODED VIEW

## COIL ASSEMBLY



Options highlighted can be customized to fit your system. Give us a call to discuss your requirements.

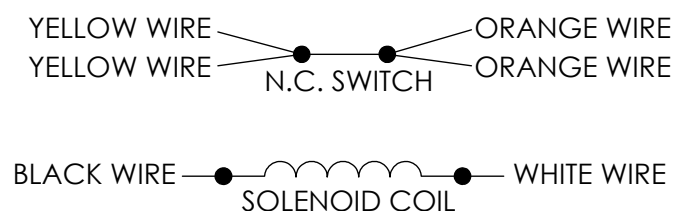
### INFORMATION:

TLX TECHNOLOGIES, PEWAUKEE, WI. PHONE: 262-970-8660, FAX: 262-970-8665

THE SUPERVISED DIRECT ACTING SOLENOID IS A CUSTOMIZABLE RELEASING DEVICE FOR EXTINGUISHING SYSTEMS, COMPLIANT TO *NFPA 2001, SEC. 4.3.4.1*

- ELECTRONIC REQUIREMENTS/CONFIGURATIONS:
  - VOLTAGE SUPPLY: 12 VDC or 24 VDC
  - CURRENT SUPPLY: 1.12A or 0.57A
  - MONITORING CURRENT: <30mA
  - SUPERVISION: INTERNAL NORMALLY CLOSED SWITCH
- OPERATING CONDITIONS:
  - MAX OPERATING PRESSURE: 2500 PSI (172 BAR)
  - BURST PRESSURE: 5000 PSI (345 BAR)
  - TEMPERATURE RANGE: -4 °F TO 131 °F (-20 °C TO 55 °C)

## PA0402 WIRE DIAGRAM



**PROPRIETARY AND CONFIDENTIAL**  
 THE INFORMATION CONTAINED IN THIS DRAWING IS THE SOLE PROPERTY OF TLX TECHNOLOGIES. ANY REPRODUCTION IN PART OR AS A WHOLE WITHOUT THE WRITTEN PERMISSION OF TLX TECHNOLOGIES IS PROHIBITED.

UNLESS OTHERWISE SPECIFIED:	DRAWN BY	PTS	
DIMENSIONS ARE IN INCHES	DATE DRAWN	3/25/2016	
TOLERANCES: ANGULAR: 1° TWO PLACE DECIMAL ±.01 THREE PLACE DECIMAL ±.005	CUSTOMER P/N	REV	
SURFACE FINISH: 125 µin MAX.			
EDGE BREAK: .005 MAX.	INTERPRET GEOMETRIC TOLERANCING PER: ASME Y14.5-2009		TITLE: SUPERVISED DIRECT ACTING SOLENOID
MATERIAL	SIZE	DWG. NO.	REV
FINISH	<b>B</b>	PA0402	-10
<b>ALL DIMENSIONS ARE POST PLATE</b>			SCALE: 1:1
			DO NOT SCALE DRAWING
			SHEET 1 OF 4