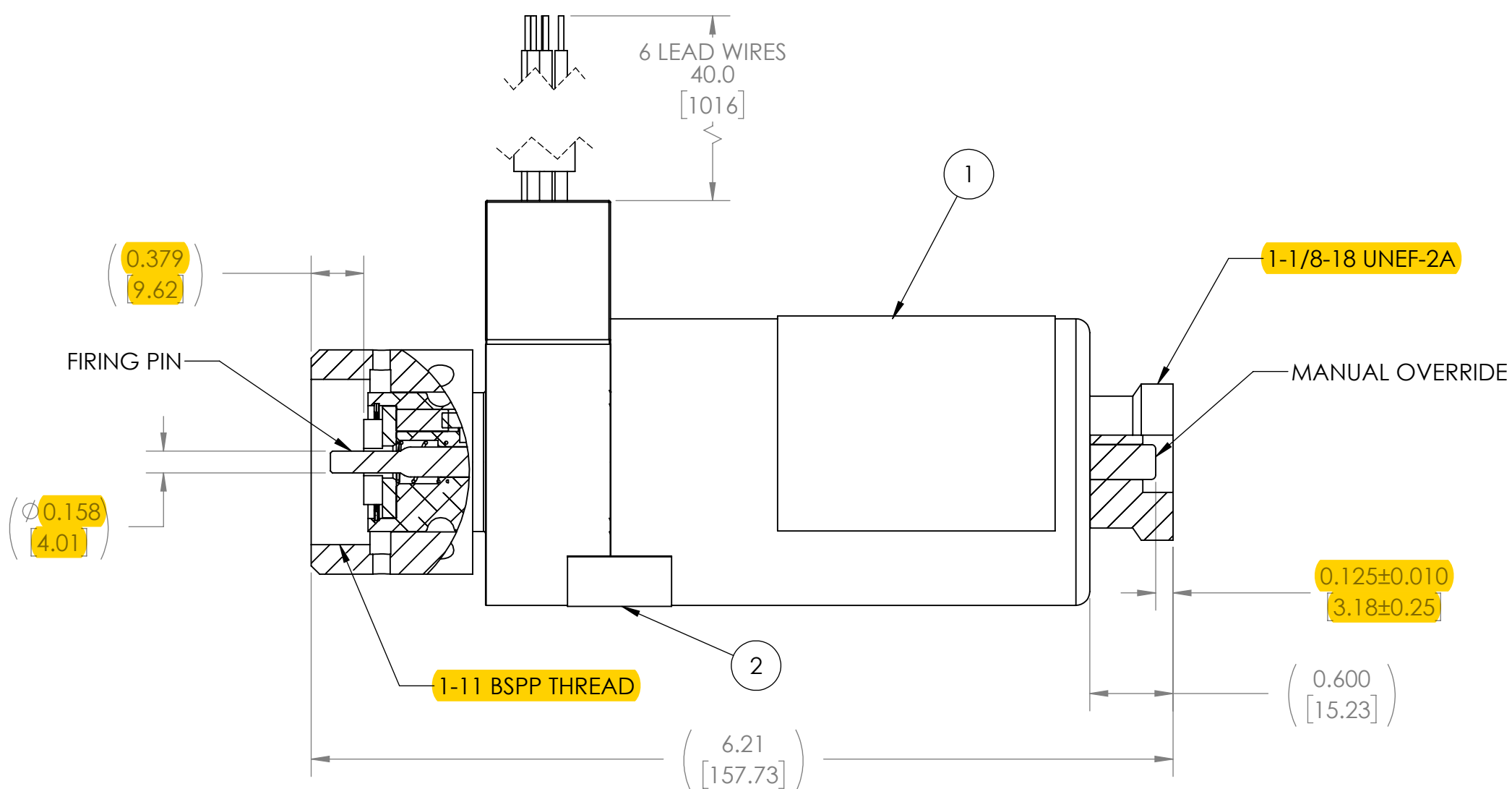
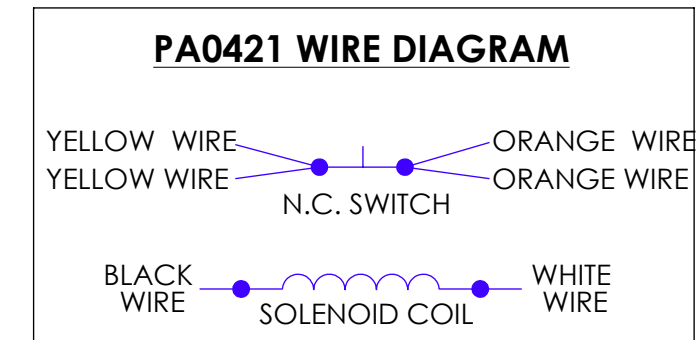
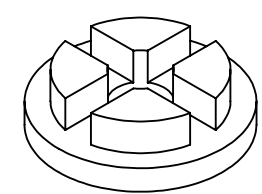
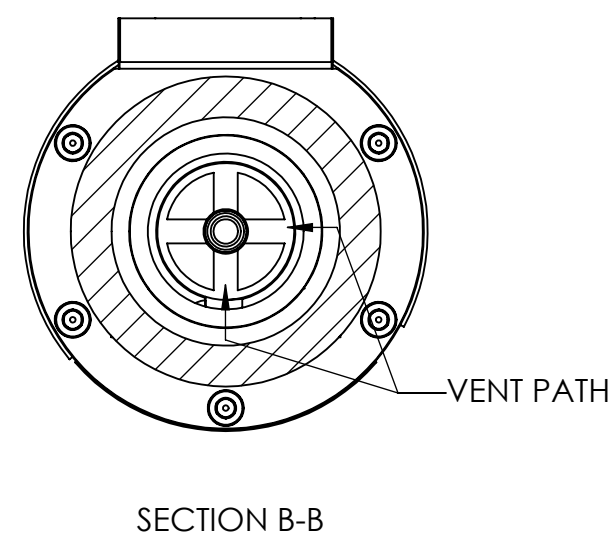
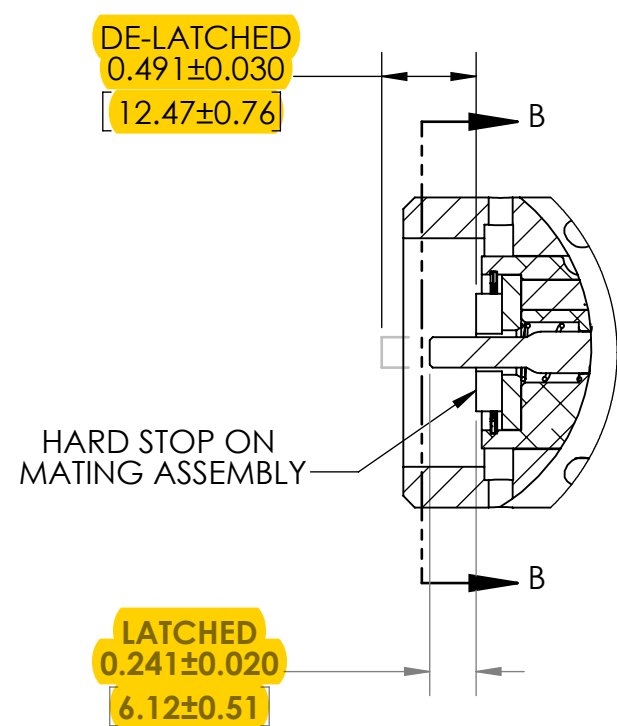


Options highlighted can be customized to fit your system. Give us a call to discuss your requirements.



NOTES:

1. SUPERVISED LATCHING SOLENOID ACTUATOR. TLX TECHNOLOGIES, PEWAUKEE, WI. PHONE: 262-970-8660, FAX: 262-970-8665
2. ELECTRICAL/ELECTRONIC REQUIREMENTS/CONFIGURATIONS:
 - A. VOLTAGE SUPPLY: 24 VDC
 - B. CURRENT SUPPLY: .50A
 - C. MAX MONITORING CURRENT: <30mA
 - D. REVERSE POLARITY COMPATIBLE VIA BRIDGE RECTIFIER CIRCUIT
 - E. SUPERVISORY SWITCH (N.C.) INTERNAL TO ACTUATOR
3. MECHANICAL CONFIGURATION:
 - A. NOMINAL PIN MOVEMENT: .250" (6.35 mm)
 - B. MINIMUM FORCE OF 240N PROVIDED BETWEEN 1.00mm TO 6.35mm STROKE FROM LATCHED POSITION AT 24 VDC
 - C. MAXIMUM MANUAL ACTUATION FORCE: 150N
 - D. TEMPERATURE RANGE: -20°C TO +55°C
 - E. ACTUATOR PIN TO BE IN THE LATCHED (RETRACTED) POSITION BEFORE SHIPPING
 - F. CORROSION RESISTANT MATERIAL OR FINISH ON EXTERIOR COMPONENTS
 - G. PIN STICKOUT
 - i. LATCHED POSITION: .241 ±.020 INCHES [6.12 ±0.51]
 - ii. DELATCHED (ACTUATED POSITION): .491 ±.030 [12.47 ±.76]



ACTUATOR VIEW

4. LABELS

1. TLX LABEL (P04818)
2. LOT CODE LABEL (SA0825)

CUSTOMER P/N	REV	UNLESS OTHERWISE SPECIFIED:	NAME	DATE	
		DIMENSIONS ARE IN INCHES	DRAWN	DPP 11/22/2016	
		TOLERANCES:	CHECKED		
		ANGULAR: 1°	ENG APPR.		
		THREE PLACE DECIMAL ±0.005			
		SURFACE FINISH: 125 µin. MAX. RA	INTERPRET GEOMETRIC TOLERANCING PER: ASME Y 14.5-2009		
		EDGE BREAK: 0.005 MAX.			
		MATERIAL			
		FINISH			
PROPRIETARY AND CONFIDENTIAL THE INFORMATION CONTAINED IN THIS DRAWING IS THE SOLE PROPERTY OF TLX TECHNOLOGIES. ANY REPRODUCTION IN PART OR AS A WHOLE WITHOUT THE WRITTEN PERMISSION OF TLX TECHNOLOGIES IS PROHIBITED.					
ALL DIMENSIONS ARE POST PLATE					

TLX Technologies

TITLE:
HIGH-FORCE LATCHING ACTUATOR

SIZE DWG. NO.
C PA0421-2

SCALE: 1:1

DO NOT SCALE DRAWING

SHEET 1 OF 7