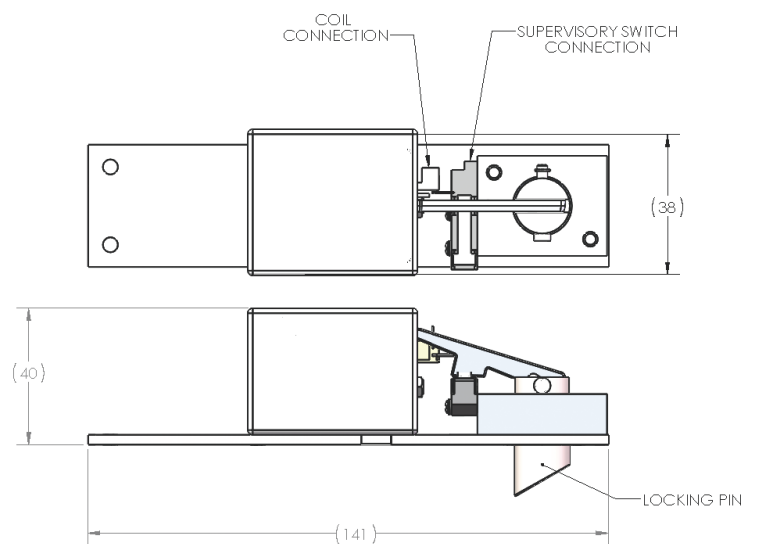
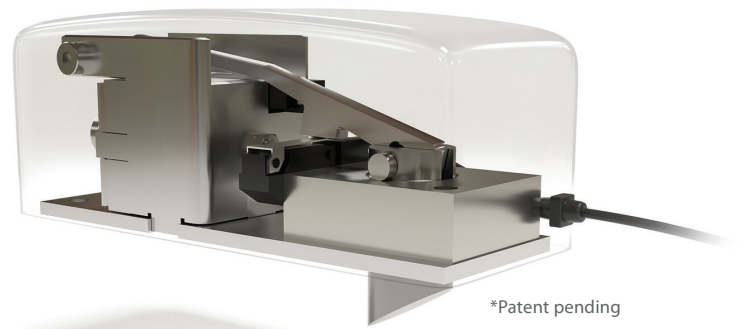


# Low-Profile Latching Solenoid Lock

This solenoid lock developed by TLX Technologies provides a low profile package size in relation to the relatively long stroke of the locking pin allowing for flexibility in applications where space is limited but strong lockout load is essential.

Designed as a two-position, latching solenoid, the lock only requires a short pulse of power to change states. The use of latching technology in the solenoid allows for zero power consumption in both the engaged and disengaged position.

Several additional features integrated into this patent pending design include supervision of the locking pin position and slam latch functionality. The supervision of the locking pin monitors its position providing feedback of the solenoid lock's current state. This feature gives a remote controller additional visibility when the solenoid lock is integrated into your system.



## Features

- Low-profile with relatively long stroke
- Two-position, magnetic latching solenoid
- Slam latch feature
- Supervisory feedback on locking pin position
- Patent pending

## Benefits

- Compact design
- Zero power consumption in both positions
- Can be mounted & operated in any orientation
- Integrate into your system for remote control locking
- Scalable based on application requirements

## Typical Specifications

- Supply Voltage: 13 Vdc
- Locking Pin Stroke: 14 mm
- Current Draw: 1.5 Amps maximum
- Locking Pin Diameter: 15 mm
- Height: 40 mm
- Width: 38 mm
- Mounting Bracket: 12 gauge steel

