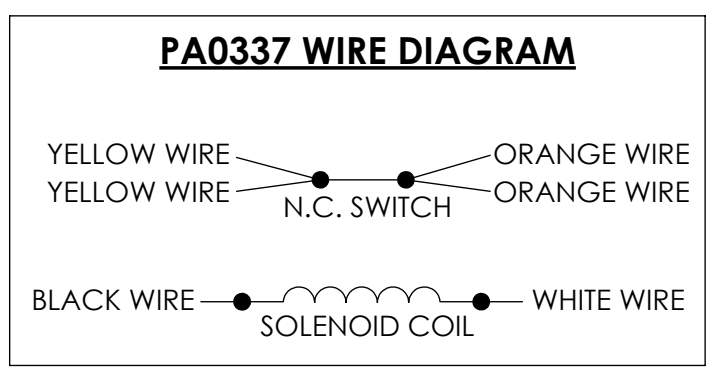
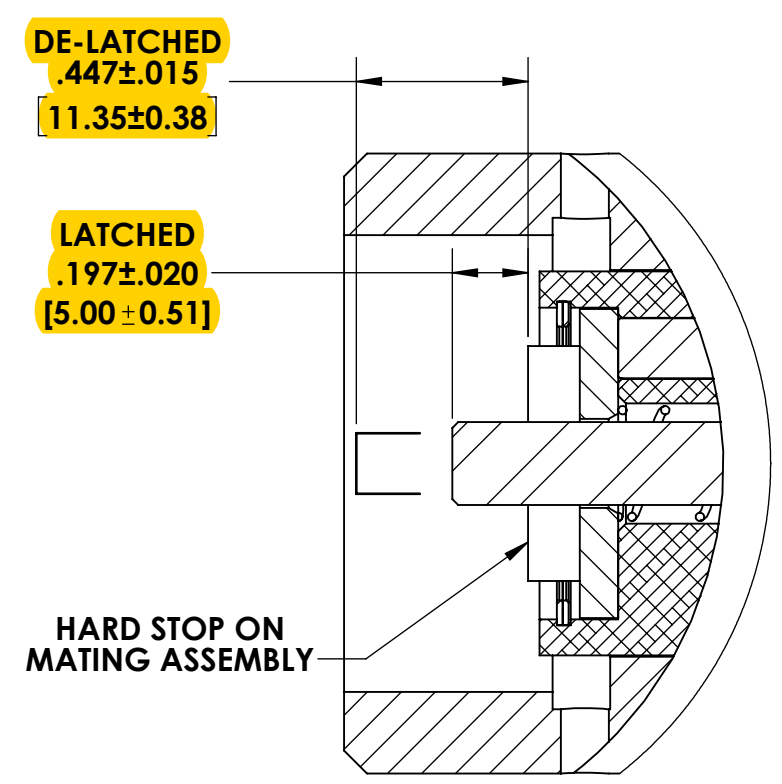
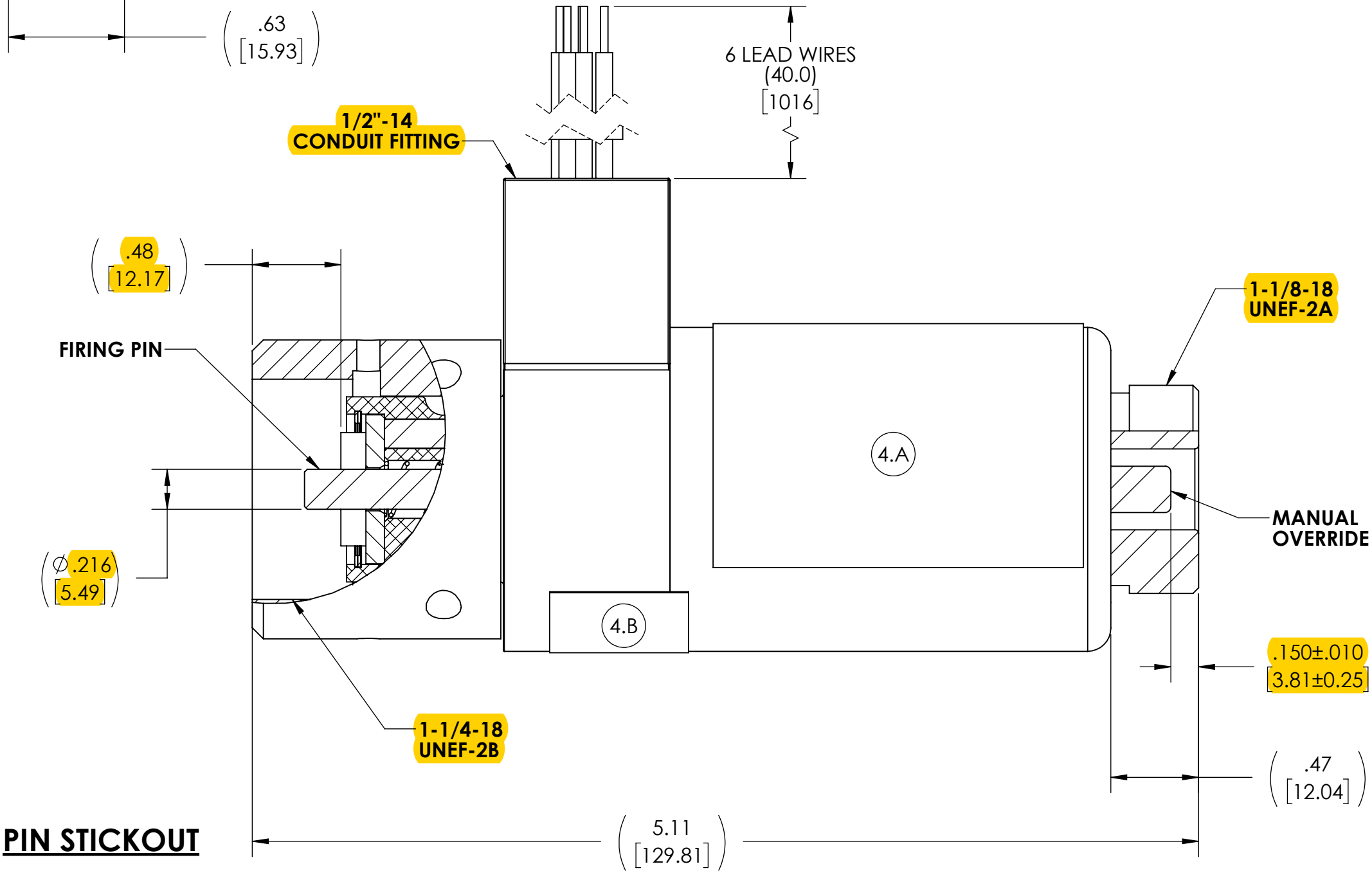


**Options highlighted can be customized to fit your system. Give us a call to discuss your requirements.**



**NOTES:**

- SUPERVISED LATCHING SOLENOID ACTUATOR, PA0337-1 STANDARD VERSION  
TLX TECHNOLOGIES, PEWAUKEE, WI.  
PHONE: 262-970-8660, FAX: 262-970-8665
- ELECTRONIC REQUIREMENTS/CONFIGURATIONS:
  - VOLTAGE SUPPLY: 24 VDC
  - CURRENT SUPPLY: 0.5A
  - MONITORING CURRENT: <30mA
  - NORMALLY CLOSED SUPERVISORY SWITCH (SWITCH OPEN WHEN ACTUATOR IS INSTALLED)
  - WIRING DIAGRAM AS SHOWN
  - REVERSE POLARITY COMPATIBLE VIA BRIDGE RECTIFIER CIRCUIT
- MECHANICAL REQUIREMENTS/CONFIGURATION:
  - TO BE A RECOGNIZED COMPONENT TO UL 864, FILE S24176
  - FIRING PIN FORCE: 12 LBS [53N] MINIMUM
  - MANUAL FORCE TO ACTUATE: 12 LBS [53N]
  - TEMPERATURE RANGE: -4°F TO 131°F (-20°C TO +55°C)
  - WIRE STRAIN RELIEF: 10LBS [44.5N] MINIMUM
  - CORROSION RESISTANT MATERIAL OR FINISH ON EXTERIOR COMPONENTS
  - ACTUATOR PIN TO BE IN THE LATCHED (RETRACTED) POSITION BEFORE SHIPPING
  - PIN STICKOUT:
    - LATCHED POSITION:  $.197 \pm .020$  INCHES [5.00  $\pm$  .51 mm]
    - DE-LATCHED (ACTUATED POSITION):  $.447 \pm .015$  INCHES [11.35  $\pm$  .38 mm]
  - OPTIONAL ACCESSORIES:
    - MANUAL ACTUATION ASSEMBLY
    - RESET TOOL ATTACHMENT
- LABELS
  - PRODUCT LABEL
  - LOT CODE LABEL

CUSTOMER P/N	REV	UNLESS OTHERWISE SPECIFIED:	NAME	DATE
		<b>DIMENSIONS ARE IN INCHES</b>	DRAWN	CJK 11/25/2014
		TOLERANCES: ANGULAR: 1° THREE PLACE DECIMAL $\pm 0.005$	CHECKED	
		SURFACE FINISH: 125 $\mu$ in. MAX. RA	ENG APPR.	
		EDGE BREAK: 0.005 MAX.	INTERPRET GEOMETRIC TOLERANCING PER: ASME Y 14.5-2009	
<b>PROPRIETARY AND CONFIDENTIAL</b> THE INFORMATION CONTAINED IN THIS DRAWING IS THE SOLE PROPERTY OF TLX TECHNOLOGIES. ANY REPRODUCTION IN PART OR AS A WHOLE WITHOUT THE WRITTEN PERMISSION OF TLX TECHNOLOGIES IS PROHIBITED.		MATERIAL	<b>TITLE:</b> SUPERVISED LATCHING SOLENOID ACTUATOR	
		FINISH	<b>SIZE DWG. NO.</b> C PA0337-1	
<b>ALL DIMENSIONS ARE POST PLATE</b>			SCALE: 2:1	DO NOT SCALE DRAWING
			SHEET 1 OF 7	