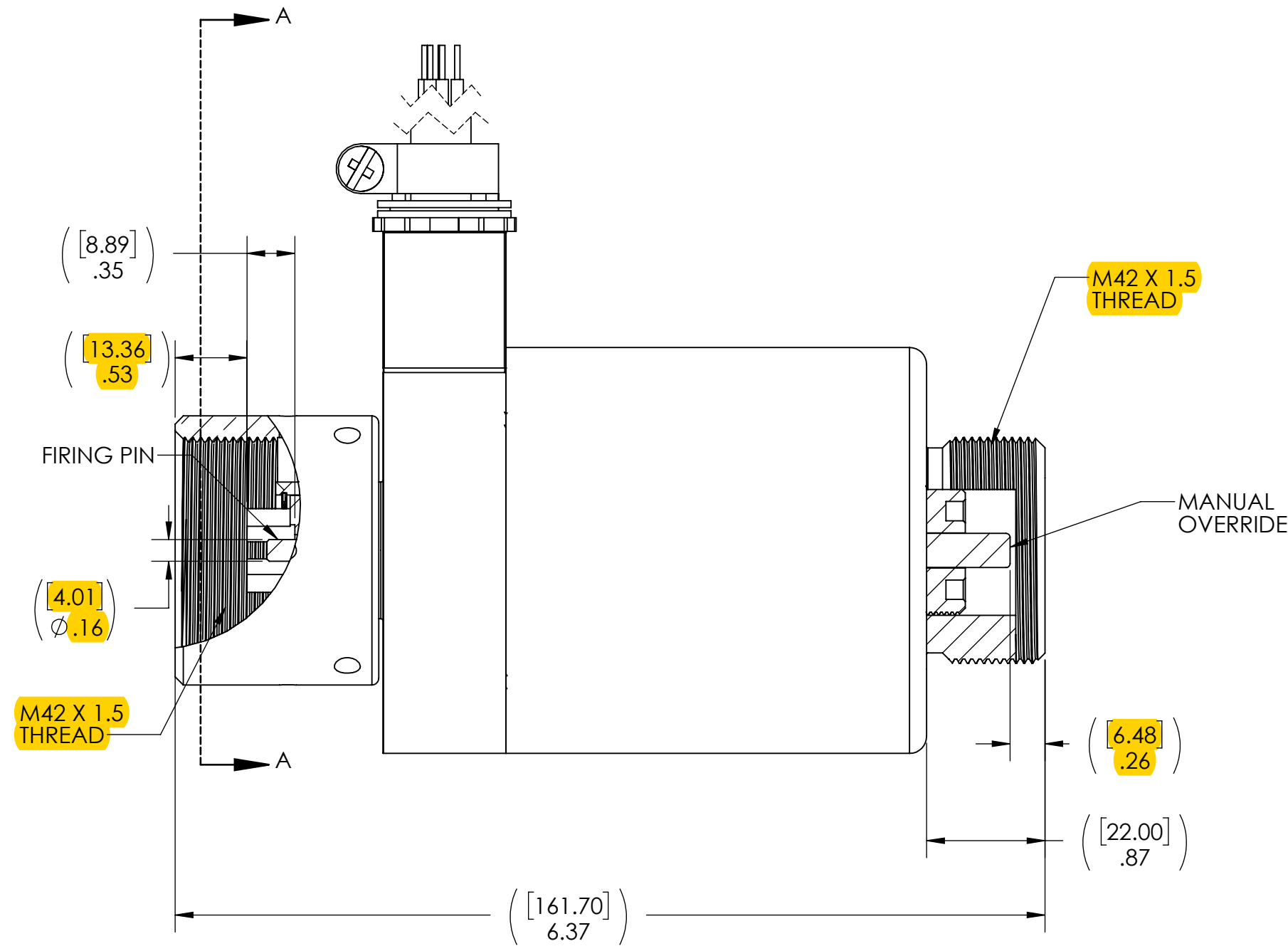


Options highlighted can be customized to fit your system. Give us a call to discuss your requirements.

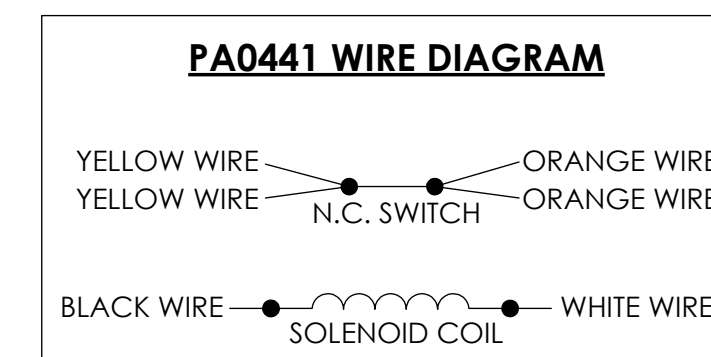
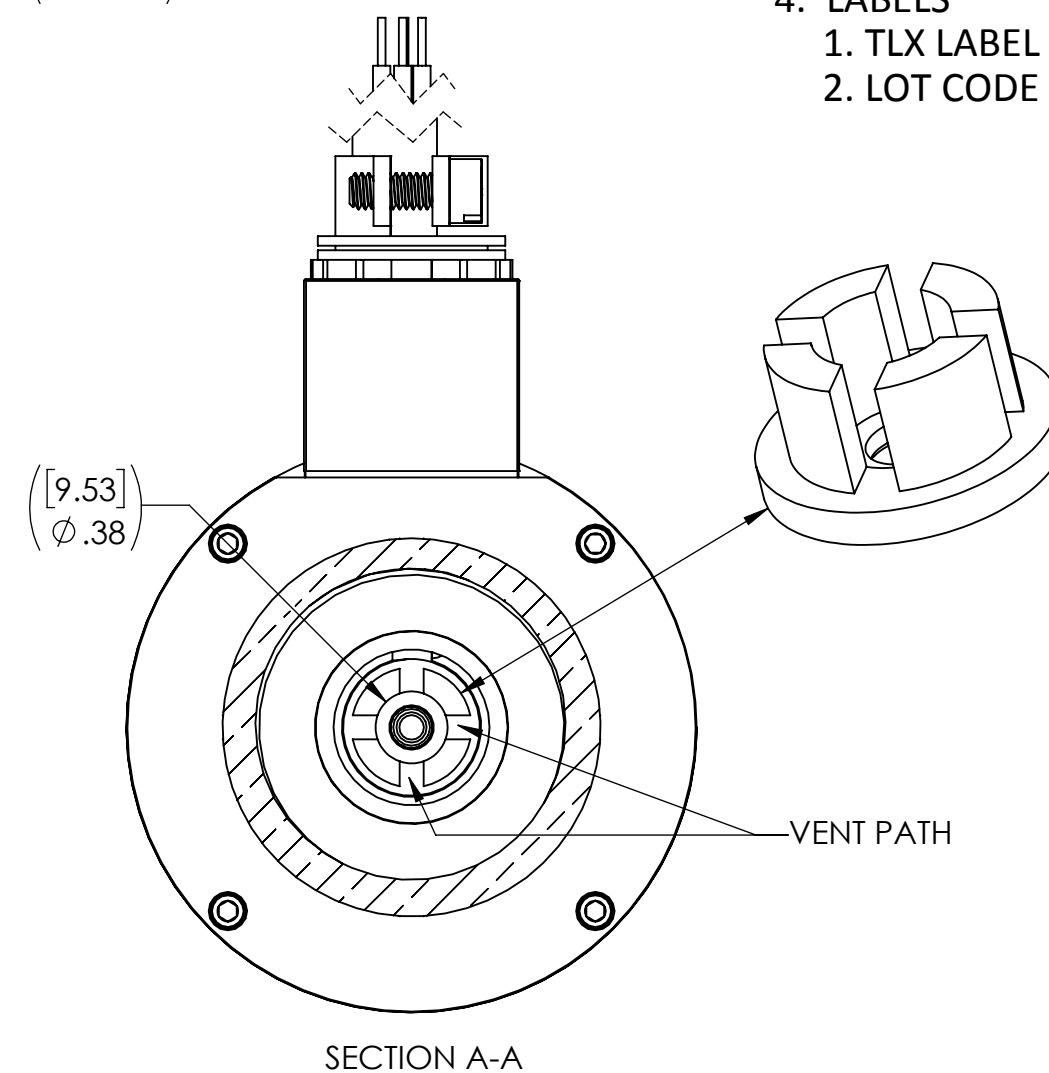
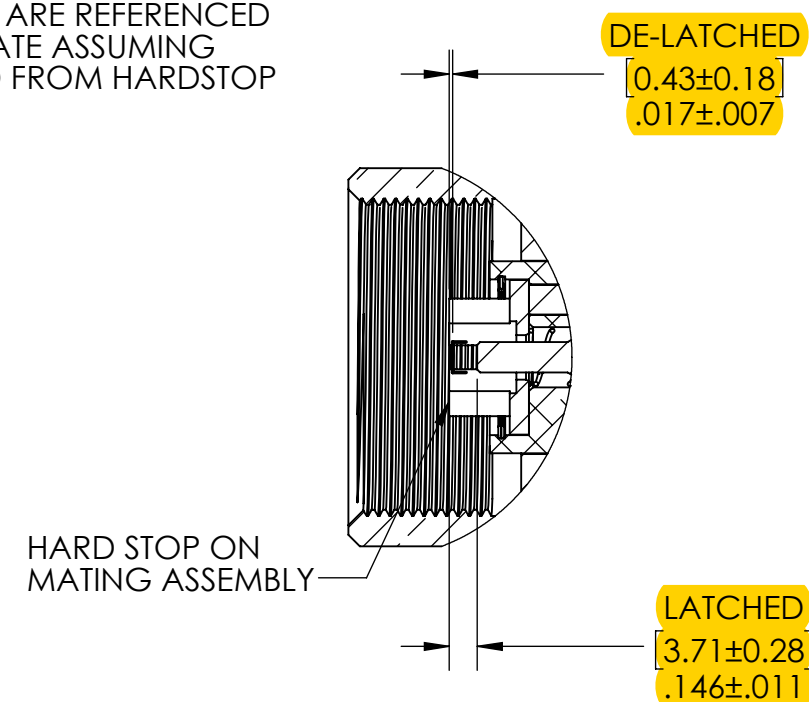


NOTES:

- SUPERVISED LATCHING SOLENOID ACTUATOR, PA0441 STANDARD VERSION
TLX TECHNOLOGIES, PEWAUKEE, WI.
PHONE: 262-970-8660, FAX: 262-970-8665
- ELECTRONIC REQUIREMENTS/CONFIGURATIONS:
 - VOLTAGE SUPPLY: 24 VDC
 - CURRENT SUPPLY: 0.5A
 - MONITORING CURRENT: <30mA
 - NORMALLY CLOSED SUPERVISORY SWITCH (SWITCH OPEN WHEN ACTUATOR IS INSTALLED)
 - WIRING DIAGRAM AS SHOWN
 - REVERSE POLARITY COMPATIBLE VIA BRIDGE RECTIFIER CIRCUIT
- MECHANICAL REQUIREMENTS/CONFIGURATION:
 - TO BE A RECOGNIZED COMPONENT TO UL 864, FILE S24176
 - FIRING PIN FORCE: 112 LBS [500N] MINIMUM
 - TEMPERATURE RANGE: -4°F TO 131°F (-20°C TO +55°C)
 - WIRE STRAIN RELIEF: 10LBS [44.5N] MINIMUM
 - CORROSION RESISTANT MATERIAL OR FINISH ON EXTERIOR COMPONENTS
- LABELS
 - TLX LABEL
 - LOT CODE LABEL

PIN STICKOUT

DIMENSIONS ARE REFERENCED FROM SWITCH PLATE ASSUMING IT IS COMPRESSED FROM HARDSTOP



CUSTOMER P/N	REV	UNLESS OTHERWISE SPECIFIED:	NAME	DATE
		DIMENSIONS ARE IN INCHES	DRAWN	CJK 11/28/2017
		TOLERANCES: ANGULAR: 1° THREE PLACE DECIMAL ±0.005	CHECKED	
		SURFACE FINISH: 125 µin. MAX. RA	ENG APPR.	
		EDGE BREAK: 0.005 MAX.	INTERPRET GEOMETRIC TOLERANCING PER: ASME Y 14.5-2009	
<small>PROPRIETARY AND CONFIDENTIAL THE INFORMATION CONTAINED IN THIS DRAWING IS THE SOLE PROPERTY OF TLX TECHNOLOGIES. ANY REPRODUCTION IN PART OR AS A WHOLE WITHOUT THE WRITTEN PERMISSION OF TLX TECHNOLOGIES IS PROHIBITED.</small>		MATERIAL		
FINISH				
ALL DIMENSIONS ARE POST PLATE				

TITLE: RELEASE ACTUATOR		
SIZE	DWG. NO.	REV
C	PA0441	-
SCALE: 1:1	DO NOT SCALE DRAWING	SHEET 1 OF 4