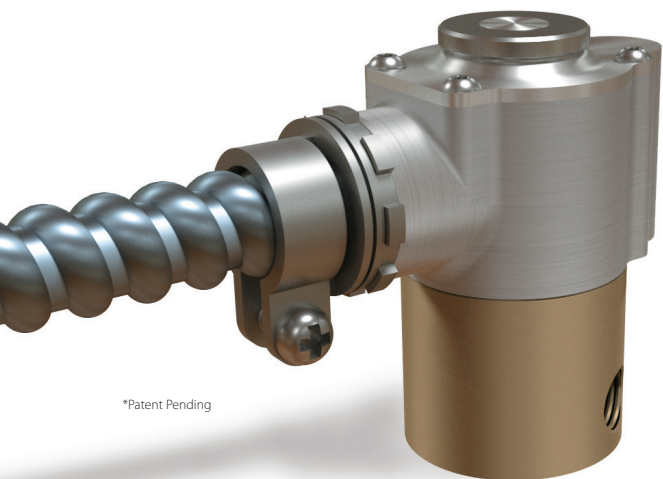
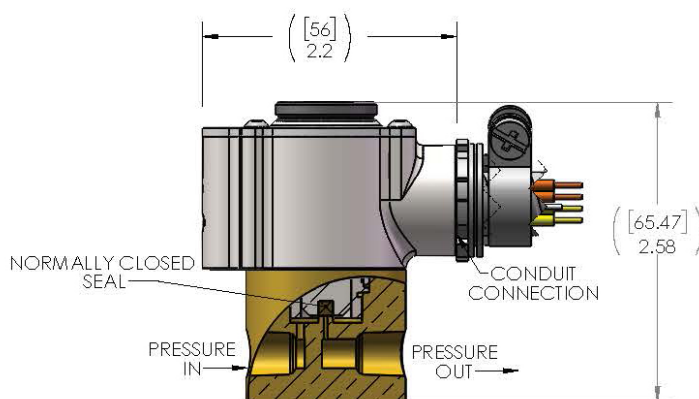


Supervised Direct-Acting Solenoid



The supervised direct-acting solenoid was designed to meet industry standard NFPA 2001, Sec. 4.3.4.1. that is required on all clean agent and gaseous fire extinguishing systems. This regulation addresses the concern of proper installation of the solenoid by integrating the necessary supervision within the component to provide the installation technician with both a visible and audible check to ensure proper installation.

TLX Technologies' patent pending component allows for standard removal of the coil for testing with indication that the solenoid has been properly re-installed every time. The component is designed with an internal supervisory feature that eliminates the need for an additional component or electrical connection.



Features

- Fully-engaged installation detection
- Ultra-fast response
- Integrated supervision with 6-wire standard
- Full metal enclosure with factory installed wiring
- Component freely rotates for easy installation

Benefits

- Meets requirements of NFPA 2001, UL 864, UL 2166, UL 2127, & FM 5600
- Interfacing options available to meet system dimensional differences
- Designed to safeguard against tampering
- Removable coil assembly for inspection/maintenance
- Can be customized to operate at various working pressures

Typical Specifications

- Supply Voltage: 12 or 24 Vdc
- Monitoring Current: <30 mA
- Operating Temperature Range: -20 to 55°C
- Max Operating Pressure: 172 bar (2500 psi)
- Burst Pressure: 345 bar (5000 psi)
- Firing Current: 0.5 Amps
- Body Diameter: 56 mm
- Length: 65.5 mm

